

Web Server Settings

- Port – This is the TCP port of the WEB Server. Default value is 80.
- Username – User name for the WEB Server. Default value is *user*.
- Password – Password for the WEB Server. Default value is *pass*.

NOTE: Username and Password are used in order to restrict access to all configuration pages. You can define Username only, Password only or both of them. If both Username and Password are left blank, NO security is used.

SNMP Settings

SNMP MIB File: Press the Download button to download DB90-RX SNMP MIB file.

NOTE: The MIB file may change from one firmware revision to the other. Downloading this file from the device ensures that you have the proper MIB file.

Specify Agent ID, Agent Port, Read/Write Communities, Manager IP and Manager Port.

NOTE: Agent ID is used to identify the device among others when a SNMP notification is send. Agent - enables/disables SNMP Agent.

Other Settings

- Name – Name of the device. This name is used to identify the device in local network and is used as title on all web pages. Up to 63 alpha-numeric characters can be entered.



IP Audio Settings

- URL – URL of the stream server. Up to 3 URLs can be defined. Up to 63 characters can be entered.
- Decoder + Sample rate – Select decoder and sample rate. For PCM (uncompressed) sample rate can be 32, 44.1 or 48 kHz. For HE-AAC and MPEG1 sample rate is determined automatically from the stream. Default value is HE-AAC / auto.
- Channels – Number of channels in PCM stream: 1 or 2. **NOTE:** This is not used for encoded stream.
- Prebuffer – Minimum size of data in buffer before playing starts. Must be in the range 10240-65535. Default value is 32768.
- Buffering timeout – Seconds to wait for buffer to fill up. If the timeout is reached the device will skip to next server. Default value is 30s.
- Gain Adjust - Audio gain adjust from -10 to 10 dB. Default value is 0dB.

NOTE: “Gain Adjust” is digital. If the sum of Signal Level and Gain is greater than 0dBfs the signal will be distorted.

Analog Audio Output Settings

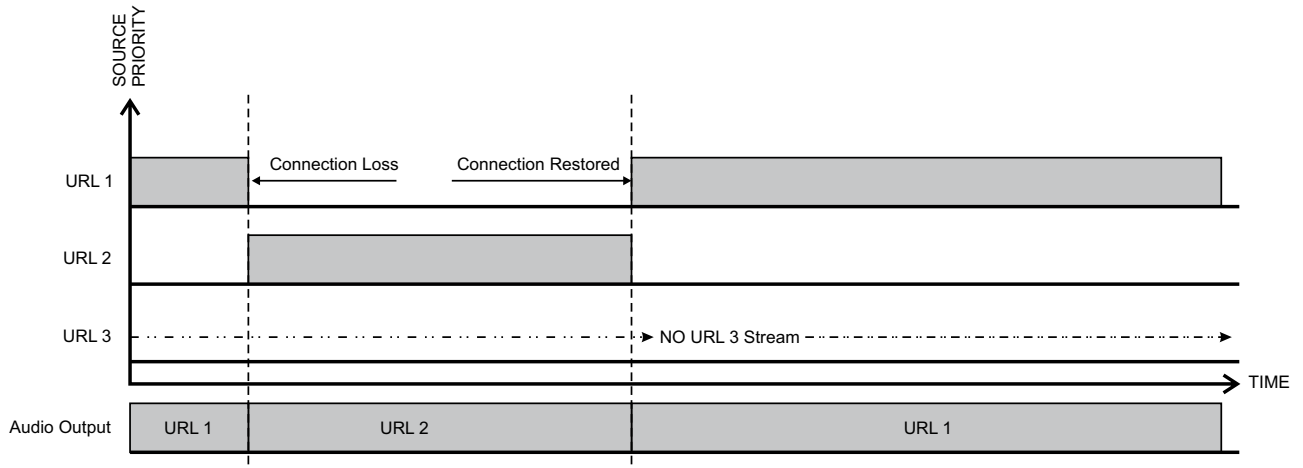
- Analog Level – Analog output volume from 0 to 100%. Default value is 100%.

NOTE: In order to ensure normal operation when PCM is used, it is necessary to select the same sample rate at both encoding and decoding side.

Audio Source Switching

DB90-RX has one main (URL1) and two alternative (URL2, URL3) Stream Audio Sources. Switching between streams is immediate and is performed automatically when connection with the current stream is lost.

NOTE: When current Stream is URL2 or URL3 and connection to URL1 is restored there will be instantaneous switch back to URL1.

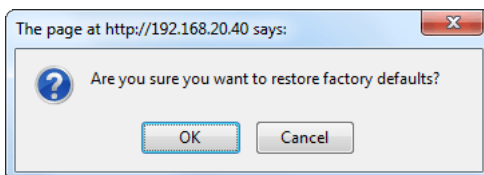


FACTORY DEFAULTS SETTINGS



On the above picture is shown the Factory Defaults page. Restoring DB90-RX to its Factory Defaults can be done by following the next steps:

- Press the “Restore” button.
- A new window as the one shown below will appear:



- Confirm that you want to restore factory defaults.
- Wait for the process to complete.

NOTE: All the settings will be restored to their factory defaults except the Network Settings, which will remain the same.

On completion of the process DB90-RX settings will have the following values:

Stream Default Settings

- URL 1, URL 2 and URL 3 – blank fields
- Decoder + Sample rate: MPEG1 / auto (MP3)
- Channels: 2
- Volume: 100 %
- Prebuffer: 32768
- Buffering timeout 30 s
- Gain Adjustment: 0dB

Output Levels:

- Analog Output: +6 dBu

Network Default Settings

All General Network Settings will remain unchanged.

WEB Server Default Settings

All WEB Server Settings will remain unchanged.

SNMP Default Settings

- Agent : Disabled
- Agent Port: 161
- Community: DEVA90
- Manager IP: 0.0.0.0
- Manager Port: 162
- Agent ID: 0

Other Default Settings

- Name: DB90-RX

HARDWARE RESET

This process will fully restore DB90-RX to its Factory Defaults, including the Network settings. Hardware Reset can be done by following the next steps:

- Disconnect the power supply cable from the unit.
- Locate the RESET button on Rear panel.
- Press and hold the RESET button.
- Connect the power supply cable to the unit.
- Keep the RESET button hold until the POWER led starts blinking.
- Release the RESET button.
- Wait for DB90-RX to reboot with the factory default settings.

Upon completion of the process DB90-RX settings will have the following values:

Network Default Settings

- DHCP: enabled

WEB Server Default Settings

- Port: 80
- Username: user
- Password: pass

All other settings will have the factory default values described in chapter [“Factory Defaults Settings”](#).

NOTE: After the process completes the DHCP Client is enabled. The DB90-RX will obtain IP Address from DHCP server shortly.

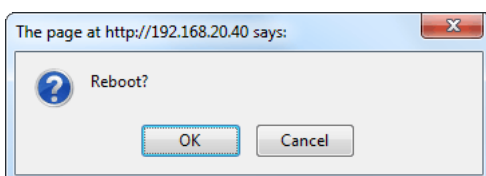
ATTENTION: Please note that the WEB Server’s Port, Username and Password will be changed, so it is possible the page not to be loaded after restoring factory defaults. You may be asked to re-enter the encoder’s address and/or username and password.

REBOOTING



On the above picture is shown the Reboot page. Rebooting of DB90-RX can be done by following the next steps:

- Press the “Reboot” button.
- The following dialog warning window will appear:



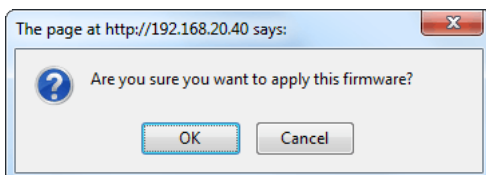
- Confirm that you want to reboot the device.
- Wait for the process to complete.

FIRMWARE UPDATE



On the above picture is shown the Firmware Update page. To update the device firmware, please follow the next steps:

- Select the new firmware file.
- Press the “Upload” button.
- The following dialog window will appear:

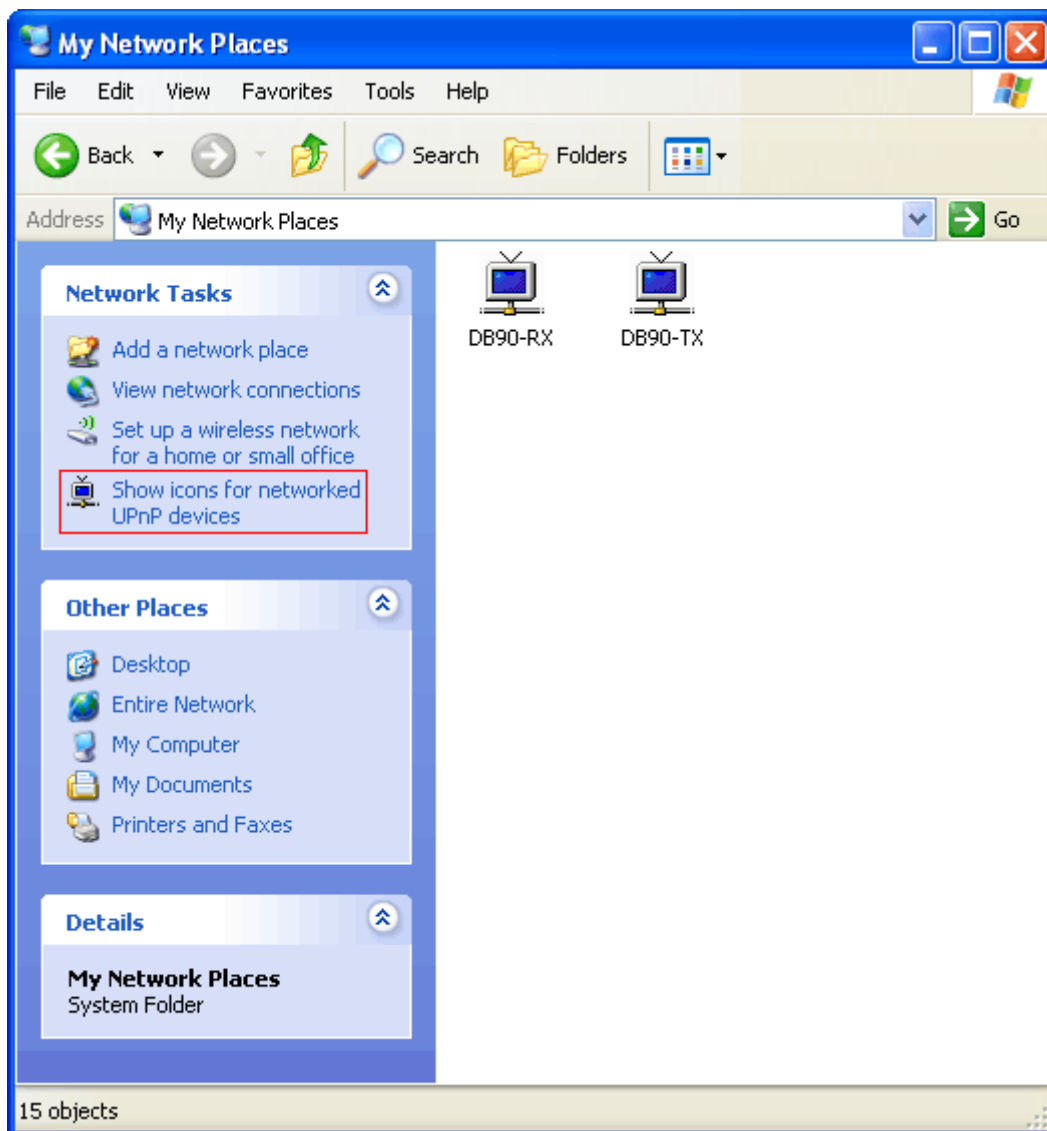


- Wait for the process to complete.

UPnP discovery in Local Networks

DB90-RX implements UPnP which lets you easily find it in your local network. For this purpose your system should have UPnP enabled ([see “UPnP Activation” on page 28](#)). To discover the device follow the next steps:

- Connect the device to the local network.
- Open “My Network Places” on your computer.
- Find the decoder’s icon.
- Double click it to open the DB90-RX web interface.

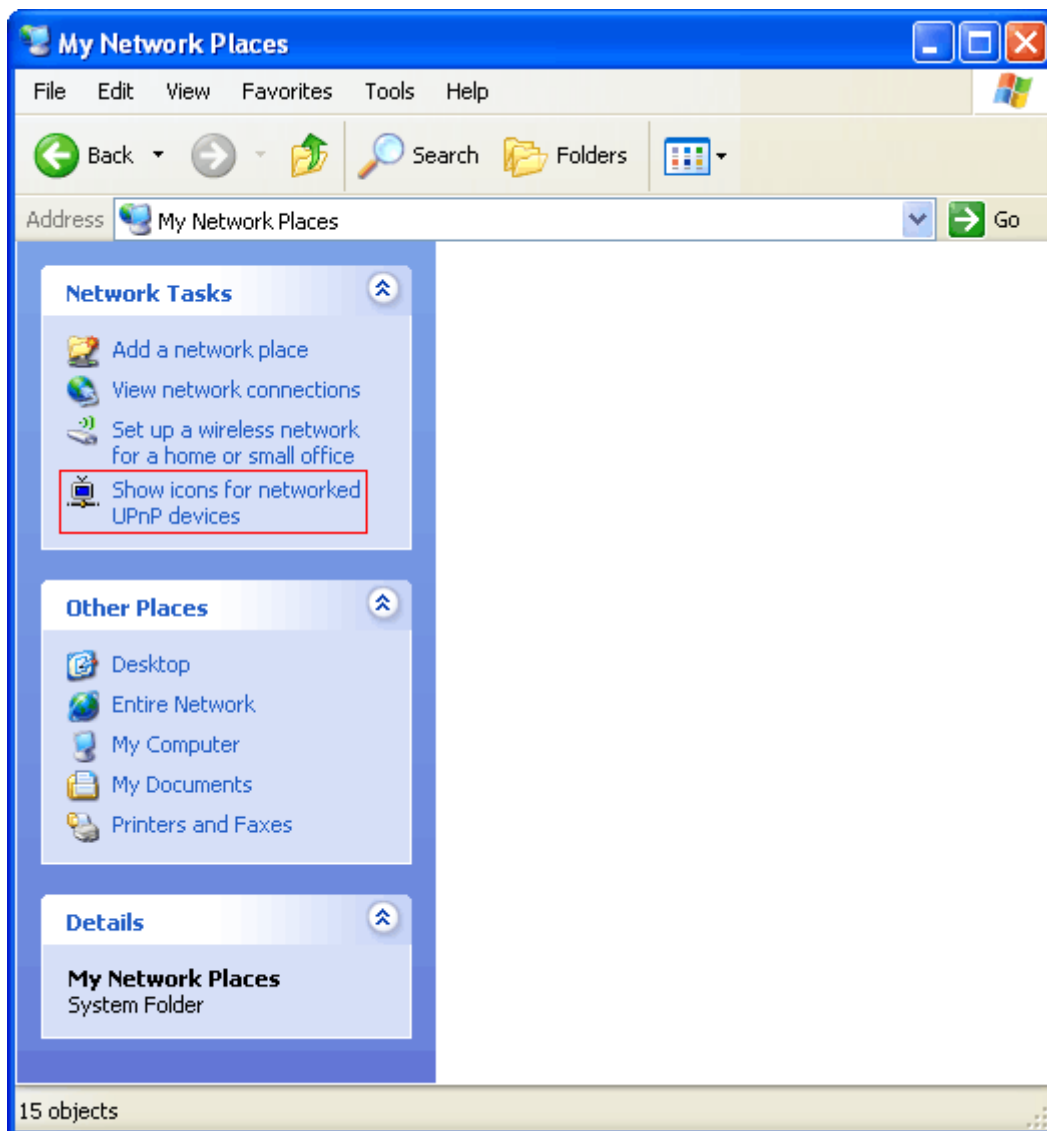


UPnP Activation

NOTE: The following explanations apply to Windows XP SP2 or SP3! If you use another operating system, please contact your system administrator.

Open “My Network Places”. If you have the caption displayed in the picture below, click on it. Then click “Yes” and wait for the process to complete. Now you should see the device. If you still have troubles finding the device, please see

<http://support.microsoft.com/kb/941206> or contact your system administrator.



WARRANTY TERMS AND CONDITIONS

I. TERMS OF SALE: DEVA Broadcast Ltd. products are sold with an understanding of “full satisfaction”; that is, full credit or refund will be issued for products sold as new if returned to the point of purchase within 30 days following their receipt, provided that they are returned complete and in an “as received” condition.

II. CONDITIONS OF WARRANTY: The following terms apply unless amended in writing by DEVA Broadcast Ltd.

A. The Warranty Registration Card supplied with this product must be completed and returned to DEVA Broadcast Ltd. within 10 days of delivery.

B. This Warranty applies only to products sold “as new.” It is extended only to the original end-user and may not be transferred or assigned without prior written approval by DEVA Broadcast Ltd.

C. This Warranty does not apply to damage caused by improper mains settings and/or power supply.

D. This Warranty does not apply to damage caused by misuse, abuse, accident or neglect. This Warranty is voided by unauthorized attempts at repair or modification, or if the serial identification label has been removed or altered.

III. TERMS OF WARRANTY: DEVA Broadcast Ltd. products are warranted to be free from defects in materials and workmanship.

A. Any discrepancies noted within TWO YEARS of the date of delivery will be repaired free of charge, or the equipment will be replaced with a new or remanufactured product at DEVA Broadcast Ltd. option.

B. Parts and labor for factory repair required after the two-year Warranty period will be billed at prevailing prices and rates.

IV. RETURNING GOODS FOR FACTORY REPAIR:

A. Equipment will not be accepted for Warranty or other repair without a Return Authorization (RA) number issued by DEVA Broadcast Ltd. prior to its return. An RA number may be obtained by calling the factory. The number should be prominently marked on the outside of the shipping carton.

B. Equipment must be shipped prepaid to DEVA Broadcast Ltd.. Shipping charges will be reimbursed for valid Warranty claims. Damage sustained as a result of improper packing for return to the factory is not covered under terms of the Warranty and may occasion additional charges.

PRODUCT REGISTRATION CARD

- All fields are required, or warranty registration is invalid and void

Your Company Name _____

Contact _____

Address Line 1 _____

Address Line 2 _____

City _____

State/Province _____ ZIP/Postal Code _____

Country _____

E-mail _____ Phone _____ Fax _____

Which DEVA Broadcast Ltd. product did you purchase? _____

Product Serial # _____

Purchase date ____ / ____ / ____

Installation date ____ / ____ / ____

Your signature*

*Signing this warranty registration form you are stating that all the information provided to DEVA Broadcast Ltd. are truth and correct. DEVA Broadcast Ltd. declines any responsibility for the provided information that could result in an immediate loss of warranty for the above specified product(s).

Privacy statement: DEVA Broadcast Ltd. will not share the personal information you provide on this card with any other parties.